



IP Camera 200 Series

NBC-265-P



BOSCH

en Installation and Operation Manual

Table of Contents

1	Safety	7
1.1	Safety precautions	7
1.2	Important safety instructions	8
1.3	FCC & ICES compliance	9
1.4	UL certification	10
1.5	Bosch notices	10
1.6	Copyrights	11
<hr/>		
2	Introduction	13
2.1	Features	13
2.2	Unpacking	14
<hr/>		
3	Installation	15
3.1	SD card	15
3.2	Mounting the camera	16
3.3	Network (and power) connector	18
3.4	Power connection	19
3.4.1	DC power connection	19
3.5	I/O connector	20
3.6	Audio connectors	21
3.7	Resetting the camera	22
<hr/>		
4	Browser connection	23
4.1	System requirements	23
4.2	Establishing the connection	23
4.2.1	Password protection in camera	24
4.3	Protected network	24
4.4	Connection established	25
4.4.1	LIVEPAGE	25
4.4.2	RECORDINGS	25
4.4.3	SETTINGS	25

5	Basic Mode	27
5.1	Basic Mode menu tree	27
5.2	Device Access	28
5.2.1	Camera name	28
5.2.2	Password	28
5.3	Date/Time	29
5.4	Network	30
5.5	Encoder	31
5.6	Audio	31
5.7	Recording	31
5.7.1	Storage medium	31
5.8	System Overview	31
<hr/>		
6	Advanced Mode	33
6.1	Advanced Mode menu tree	33
6.2	General	34
6.2.1	Identification	34
6.2.2	Password	34
6.2.3	Date/Time	36
6.2.4	Display Stamping	37
6.3	Web Interface	39
6.3.1	Appearance	39
6.3.2	LIVEPAGE Functions	40
6.3.3	Logging	41
6.4	Camera	42
6.4.1	Picture Settings	42
6.4.2	Encoder Profile	44
6.4.3	Encoder Streams	48
6.4.4	Audio	49
6.4.5	Installer Menu	50
6.5	Recording	51
6.5.1	Storage Management	52
6.5.2	Recording Profiles	55
6.5.3	Retention Time	57
6.5.4	Recording Scheduler	58
6.5.5	Recording Status	59

6.6	Alarm	60
6.6.1	Alarm Connections	60
6.6.2	Video Content Analyses (VCA)	63
6.6.3	VCA configuration- Profiles	64
6.6.4	VCA configuration - Scheduled	70
6.6.5	VCA configuration - Event triggered	72
6.6.6	Audio Alarm	73
6.6.7	Alarm E-Mail	74
6.7	Interfaces	76
6.7.1	Alarm input	76
6.7.2	Relay	76
6.8	Network	78
6.8.1	Network Access	78
6.8.2	Advanced	82
6.8.3	Multicast	83
6.8.4	FTP Posting	85
6.9	Service	86
6.9.1	Maintenance	86
6.9.2	System Overview	88
7	Operation via the browser	89
7.1	Livepage	89
7.1.1	Processor load	89
7.1.2	Image selection	90
7.1.3	Digital I/O	91
7.1.4	System Log / Event Log	91
7.1.5	Saving snapshots	92
7.1.6	Recording video sequences	92
7.1.7	Running recording program	92
7.1.8	Audio communication	92
7.2	Recordings page	94
7.2.1	Controlling playback	94
8	Troubleshooting	97
8.1	LED indicators	97
8.2	Resolving problems	97

8.3	Customer service	97
9	Maintenance	99
9.1	Repairs	99
9.1.1	Transfer and disposal	99
10	Technical Data	101
10.1	Specifications	101
10.1.1	Dimensions	103
10.1.2	Accessories	103

1 Safety

1.1 Safety precautions

**DANGER!**

High risk: This symbol indicates an imminently hazardous situation such as "Dangerous Voltage" inside the product.

If not avoided, this will result in an electrical shock, serious bodily injury, or death.

**WARNING!**

Medium risk: Indicates a potentially hazardous situation.

If not avoided, this could result in minor or moderate bodily injury.

**CAUTION!**

Low risk: Indicates a potentially hazardous situation.

If not avoided, this could result in property damage or risk of damage to the device.

1.2 Important safety instructions

Read, follow, and retain for future reference all of the following safety instructions. Heed all warnings on the unit and in the operating instructions before operating the unit.

1. **Cleaning** - Generally, using a dry cloth for cleaning is sufficient but a moist, fluff-free cloth or leather shammy may also be used. Do not use liquid cleaners or aerosol cleaners.
2. **Heat Sources** - Do not install the unit near any heat sources such as radiators, heaters, stoves, or other equipment (including amplifiers) that produce heat.
3. **Water** - Never spill liquid of any kind on the unit.
4. **Lightning** - Take precautions to protect the unit from power and lightning surges.
5. **Controls adjustment** - Adjust only those controls specified in the operating instructions. Improper adjustment of other controls may cause damage to the unit.
6. **Power sources** - Operate the unit only from the type of power source indicated on the label.
7. **Servicing** - Unless qualified, do not attempt to service this unit yourself. Refer all servicing to qualified service personnel.
8. **Replacement parts** - Use only replacement parts specified by the manufacturer.
9. **Installation** - Install in accordance with the manufacturer's instructions and in accordance with applicable local codes.
10. **Attachments, changes or modifications** - Only use attachments/accessories specified by the manufacturer. Any change or modification of the equipment, not expressly approved by Bosch, could void the warranty or, in the case of an authorization agreement, authority to operate the equipment.

1.3 FCC & ICES compliance

FCC & ICES Information

(U.S.A. and Canadian Models Only)

This equipment has been tested and found to comply with the limits for a **Class B** digital device, pursuant to *part 15* of the *FCC Rules*. These limits are designed to provide reasonable protection against harmful interference in a **residential installation**. This equipment generates, uses, and can radiate radio frequency energy and, if not installed and used in accordance with the instructions, may cause harmful interference to radio communications. However, there is no guarantee that interference will not occur in a particular installation. If this equipment does cause harmful interference to radio or television reception, which can be determined by turning the equipment off and on, the user is encouraged to try to correct the interference by one or more of the following measures:

- reorient or relocate the receiving antenna;
- increase the separation between the equipment and receiver;
- connect the equipment into an outlet on a circuit different from that to which the receiver is connected;
- consult the dealer or an experienced radio/TV technician for help.

Intentional or unintentional modifications, not expressly approved by the party responsible for compliance, shall not be made. Any such modifications could void the user's authority to operate the equipment. If necessary, the user should consult the dealer or an experienced radio/television technician for corrective action.

The user may find the following booklet, prepared by the Federal Communications Commission, helpful: *How to Identify and Resolve Radio-TV Interference Problems*. This booklet is available from the U.S. Government Printing Office, Washington, DC 20402, Stock No. 004-000-00345-4.


1.4 UL certification

Disclaimer

Underwriter Laboratories Inc. ("UL") has not tested the performance or reliability of the security or signaling aspects of this product. UL has only tested fire, shock and/or casualty hazards as outlined in UL's *Standard(s) for Safety for Closed Circuit Television Equipment, UL 2044*. UL Certification does not cover the performance or reliability of the security or signaling aspects of this product.

UL MAKES NO REPRESENTATIONS, WARRANTIES, OR CERTIFICATIONS WHATSOEVER REGARDING THE PERFORMANCE OR RELIABILITY OF ANY SECURITY OR SIGNALING RELATED FUNCTIONS OF THIS PRODUCT.

1.5 Bosch notices

	<p>Disposal - Your Bosch product was developed and manufactured with high-quality material and components that can be recycled and reused. This symbol means that electronic and electrical appliances, which have reached the end of their working life, must be collected and disposed of separately from household waste material. Separate collecting systems are usually in place for disused electronic and electrical products. Please dispose of these devices at an environmentally compatible recycling facility, per <i>European Directive 2002/96/EC</i></p>
--	---

More information

For more information please contact the nearest Bosch Security Systems location or visit www.boschsecurity.com

1.6 Copyrights

The firmware 4.1 uses the fonts "Adobe-Helvetica-Bold-R-Normal--24-240-75-75-P-138-ISO10646-1" and "Adobe-Helvetica-Bold-R-Normal--12-120-75-75-P-70-ISO10646-1" under the following copyright:

Copyright 1984-1989, 1994 Adobe Systems Incorporated.

Copyright 1988, 1994 Digital Equipment Corporation.

Permission to use, copy, modify, distribute and sell this software and its documentation for any purpose and without fee is hereby granted, provided that the above copyright notices appear in all copies and that both those copyright notices and this permission notice appear in supporting documentation, and that the names of Adobe Systems and Digital Equipment Corporation not be used in advertising or publicity pertaining to distribution of the software without specific, written prior permission.

This software is based in part on the work of the Independent JPEG Group.

2 Introduction

2.1 Features

This HD 720p IP camera is a ready-to-use, complete network video surveillance system inside a compact camera. The camera offers a cost-effective solution for a broad range of applications. It uses H.264 compression technology to give clear images reducing bandwidth and storage. The camera can be used as a stand-alone video surveillance system with no additional equipment or it can easily integrate with the Bosch DVR 700 Series recorders.

Features include:

- SD/SDHC card slot supports edge recording up to 32 GB
- Tri-streaming: Two H.264 streams and one M-JPEG stream
- HD 720p Progressive scan for sharp images of moving objects
- Two-way audio and audio alarm
- Power over Ethernet (IEEE 802.3af compliant)
- Tamper and motion detection
- Conforms to the ONVIF standard for wide compatibility

2.2 Unpacking

Unpack carefully and handle the equipment with care.

The packaging contains:

- IP camera with lens
- Universal power supply with US, EU and UK plug
- Camera mount kit
- Quick installation guide
- CD ROM
 - Bosch Video Client
 - Documentation
 - Tools

If equipment has been damaged during shipment, repack it in the original packaging and notify the shipping agent or supplier.



WARNING!

Installation should only be performed by qualified service personnel in accordance with the National Electrical Code or applicable local codes.



CAUTION!

The camera module is a sensitive device and must be handled carefully.

3 Installation

3.1 SD card

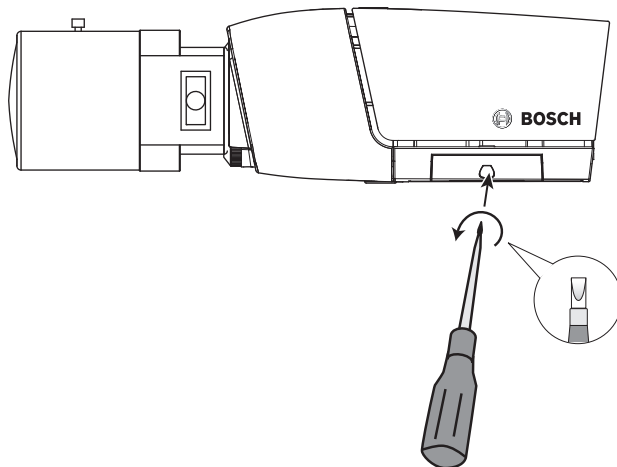


Figure 3.1 SD card

1. Unscrew the cover on the right side of the camera.
2. Slide the SD card into the slot.
3. Close and secure the cover.

The camera supports most SD/SDHC cards.

3.2 Mounting the camera

The camera can be mounted either from the top or from the bottom (1/4"-20 UNC thread). The mounting socket is isolated from ground to prevent ground loops.



CAUTION!

Do not point the camera/lens into direct sunlight as this may damage the sensors.

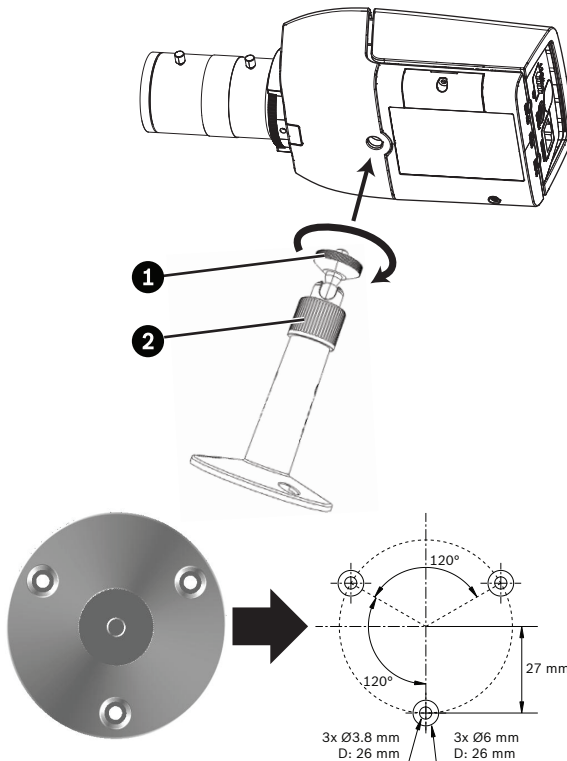


Figure 3.2 Mounting a camera

1. Use three screws to secure the base of the mounting unit to a wood ($\text{Ø}3.8$ mm, 26 mm deep) or concrete ($\text{Ø}6$ mm, 26 mm deep) surface.
2. On the mounting unit, loosen the ball-socket adjustment ring (2).

3. Adjust the ball-socket so that camera mount is correctly aligned for the required angle.
4. Screw camera onto mount and, when in position, tighten the locking ring (1) securely.
5. Tighten the ball-socket adjustment ring (2) securely.

3.3 Network (and power) connector

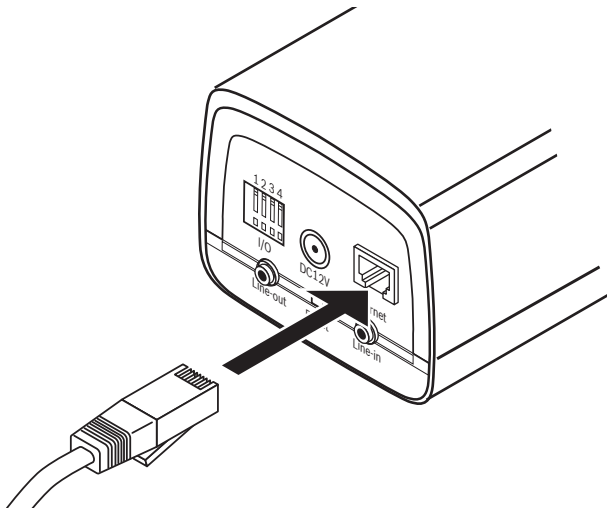


Figure 3.3 Network connection

- Connect the camera to a 10/100 Base-T network.
- Use a shielded UTP Category 5e cable with RJ45 connectors.
- Power can be supplied to the camera via the Ethernet cable compliant with the Power-over-Ethernet (IEEE 802.3af) standard.

Note:

The camera can accept power from both the DC12V power input and the Ethernet input at the same time. The primary source is the DC12V input. If both are connected and DC power removed, the camera will reboot and will then be powered by PoE. If both are connected and the PoE removed, the camera will continue working.

3.4 Power connection

3.4.1 DC power connection

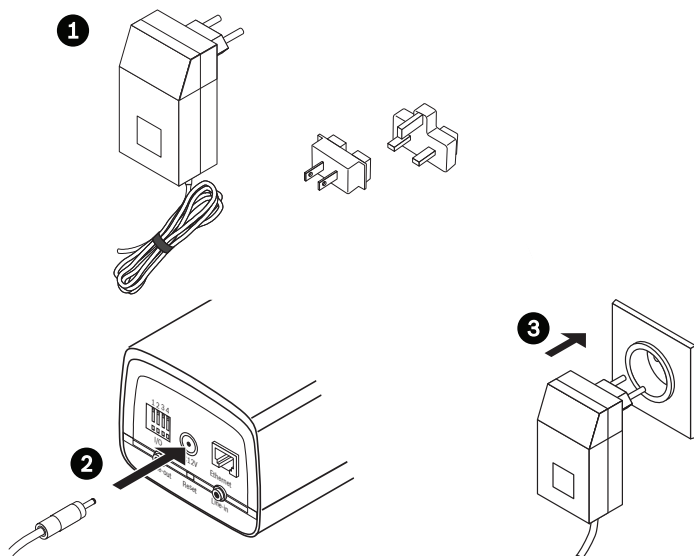


Figure 3.4 DC power connection

1. Slide the plug adapter that matches your outlet socket onto the supplied power supply.
2. Insert the power connector jack from the power supply into the DC12V socket of the camera.
3. Connect the power supply to either a 230 VAC or a 120 VAC power supply outlet.

When power is supplied to the camera the LED on the bottom-front of the camera lights. (This LED can be disabled in the Installer menu.)

Note:

The date/time must be synchronized each time after power on. It is important to ensure that the date/time is correct for recording. An incorrect date/time setting could prevent correct recording.

3.5 I/O connector

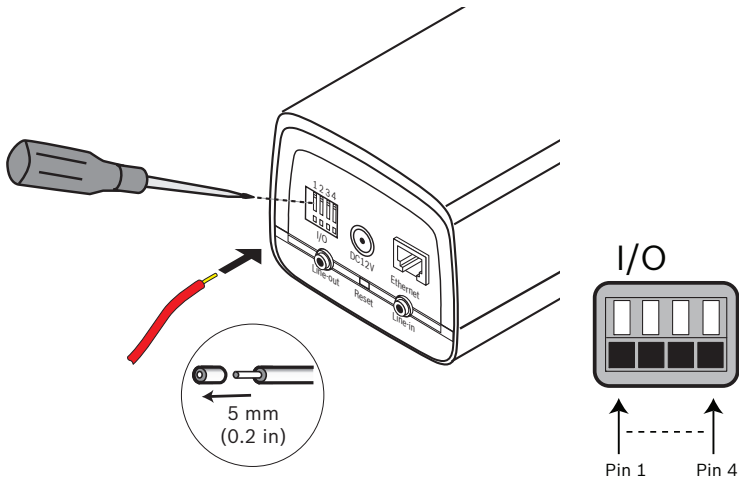


Figure 3.5 I/O connector pins

Function	Pin	I/O socket
Relay	1	Relay out contact 1
	2	Relay out contact 2
Alarm input	3	Relay in Positive
	4	Relay in Negative

- Max. wire diameter AWG 22-28 for both stranded and solid; cut back 5 mm (0.2 in) of insulation.
- Relay output switching capability: Max. voltage 24 VAC or 24 VDC. Max. 1 A continuous, 12 VA.
- Trigger in: +9 VDC minimum; +30 VDC maximum. Reverse polarity connection will be inactive.
- Alarm input configurable as active low or active high.

3.6 Audio connectors

Line in: 9 kOhm typ., 200 mVrms
Line out: 16 Ohm min. 200 mVrms

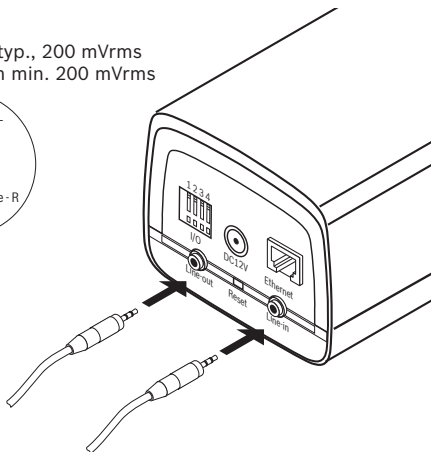
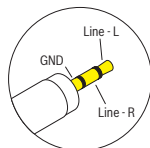


Figure 3.6 Audio connectors

Connect audio devices to the **Line In** and **Line Out** connectors.

3.7 Resetting the camera

If the camera cannot be connected because the IP address has changed, press and hold the reset button (7 seconds approximately) until the LED flashes (red) to recall the factory default values. The factory default IP address is 192.168.0.1

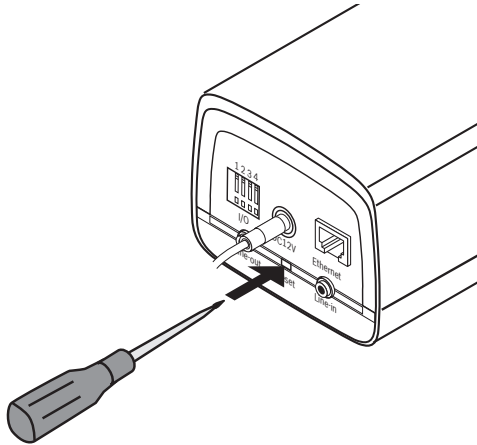


Figure 3.7 Reset button

4 Browser connection

A computer with Microsoft Internet Explorer can be used to receive live images from the camera, control cameras, and replay stored sequences. The camera is configured over the network using a browser or via the Bosch Video Client (supplied with the product).

4.1 System requirements

- Microsoft Internet Explorer version 7.0 or higher
- Monitor: resolution at least 1024 × 768 pixels, 16 or 32 bit color depth
- Intranet or Internet network access

The Web browser must be configured to enable Cookies to be set from the IP address of the unit.

In Windows Vista, deactivate protected mode on the **Security** tab under **Internet Options**.

To play back live video images, an appropriate ActiveX must be installed on the computer. If necessary, the required software and controls can be installed from the product CD provided.

- a. Insert the CD into the CD-ROM drive of the computer. If the CD does not start automatically, open the root directory of the CD in Windows Explorer and double click `BVC-installer.exe`
- b. Follow the on-screen instructions.

4.2 Establishing the connection

The camera must be assigned a valid IP address to operate on your network. The default address pre-set at the factory is

192.168.0.1

1. Start the Web browser.
2. Enter the IP address of the camera as the URL.

Note:

If the connection is not established, the maximum number of possible connections may already have been reached. Depending on the device and network configuration, up to 25 web browsers, or 50 Bosch VMS connections are supported.

4.2.1 Password protection in camera

A camera offers the option of limiting access across various authorization levels. If the camera is password-protected, a message to enter the password appears.

1. Enter the user name and the associated password in the appropriate fields.
2. Click **OK**. If the password is correct, the desired page is displayed.

4.3 Protected network

If a RADIUS server is used for network access control (802.1x authentication), the camera must be configured first. To configure the camera for a Radius network, connect it directly to a PC via a crossed network cable and configure the two parameters, **Identity** and **Password**. Only after these have been configured can communication with the camera via the network occur.

4.4 Connection established

When a connection is established, the **LIVEPAGE** is initially displayed. The application title bar displays the type number of the connected camera and three items: **LIVEPAGE**, **RECORDINGS**, **SETTINGS**.

Note:

The **RECORDINGS** link is only visible if a storage medium is available.

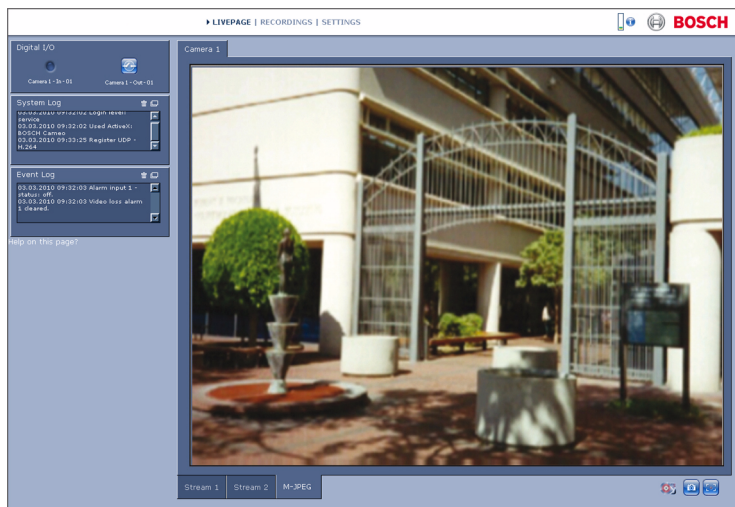


Figure 4.1 Livepage

4.4.1 LIVEPAGE

The **LIVEPAGE** is used to display and control the video stream. Refer to *Section 7.1 Livepage, page 89* for more information.

4.4.2 RECORDINGS

Click **RECORDINGS** in the application title bar to open the playback page. Refer to *Section 7.2 Recordings page, page 94* for more information.

4.4.3 SETTINGS

Click **SETTINGS** in the application title bar to configure the camera and the application interface. A new page containing

the configuration menu is opened. All settings (except date/time) are stored in the camera memory so that they are retained, even if the power is interrupted.

Changes that influence the fundamental functioning of the unit (for example, firmware updates) can only be made using the configuration menu.

The configuration menu tree allows all parameters of the unit to be configured. The configuration menu is divided into **Basic Mode** and **Advanced Mode**.

Refer to *Section 5 Basic Mode, page 27* for more information on basic settings; refer to *Section 6 Advanced Mode, page 33* for more information on advanced settings.

Note:

It is recommended that only expert users or system administrators use the **Advanced Mode**.

5 Basic Mode

5.1 Basic Mode menu tree

The basic mode configuration menu allows a set of basic camera parameters to be configured.

Basic Mode	
>	Device Access
>	Date/Time
>	Network
>	Encoder
>	Audio
>	Recording
>	System Overview

To view the current settings:

1. If necessary, click the Basic Mode menu to expand it. The sub-menus are displayed.
2. Click a sub-menu. The corresponding page is opened.

The settings are changed by entering new values or by selecting a pre-defined value in a list field.

Saving changes

After making changes in a window, click **Set** to send the new settings to the device and save them there.

Clicking **Set** saves only the settings in the current window. Changes in any other windows are ignored.

Click **SETTINGS** in the applications title bar to close the window without saving the changes.

Note:

When entering names do not use any special characters, for example **&**. Special characters are not supported by the internal recording management system.

5.2 Device Access

5.2.1 Camera name

The camera can be assigned a name to assist in identifying it. The name simplifies the management of multiple devices in more extensive systems.

The camera name is used for remote identification, for example, in the event of an alarm. Enter a name that makes it as easy as possible to identify the location unambiguously.

5.2.2 Password

A password prevents unauthorized access to the device. The device recognizes three authorization levels: **service**, **user**, and **live**.

- **service** is the highest authorization level. Entering the correct password gives access to all the functions of the camera and allows all configuration settings to be changed.
- **user** is the middle authorization level. This user can operate the device, play back recordings, and also control a camera but cannot change the configuration.
- **live** is the lowest authorization level. It can only be used to view the live video image and switch between the different live image displays.

Use the various authorization levels to limit access. Proper password protection is only guaranteed if all higher authorization levels are also protected with a password. For example, if a **live** password is assigned, a **service** and a **user** password should also be set. When assigning passwords, always start from the highest authorization level, **service**, and use different passwords.

Password

Define and change a separate password for each level while logged in as **service** or if the device is not protected by a password. Enter the password (19 characters maximum) for the selected level.

Confirm password

Re-enter the new password to ensure that there are no typing mistakes.

The new password is only saved after clicking **Set**. Therefore, click **Set** immediately after entering and confirming the password, even if you plan to assign a password at another level.

5.3 Date/Time

Device date, time and zone

If there are multiple devices operating in the system or network, it is important to synchronize their internal clocks. For example, it is only possible to identify and correctly evaluate simultaneous recordings when all devices are operating on the same time.

As the device time is controlled by the internal clock, it is not necessary to enter the day or date of the week. These are set automatically. The time zone in which the system is located is also set automatically.

- ▶ Click **Sync to PC** to apply the system time from your computer to the device.

Note:

It is important to ensure that the date/time is correct for recording. An incorrect date/time setting could prevent correct recording.

5.4 Network

Use the settings on this page to integrate the device into a network. Some changes only take effect after a reboot. In this case, the **Set** button changes to **Set and Reboot**.

1. Make the desired changes.
2. Click **Set and Reboot**.
 - The device is rebooted and the changed settings are activated. If the IP address, subnet mask, or gateway address is changed, then the device is only available under the new addresses after the reboot.

DHCP

If the network has a DHCP server for dynamic IP address allocation, set this parameter to **On** to activate the automatic acceptance of DHCP-assigned IP addresses.

Note:

Certain applications (for example, Bosch Video Management System) use the IP address for the unique assignment of the device. If using these applications, the DHCP server must support the fixed assignment between IP address and MAC address, and must be appropriately set up so that, once an IP address is assigned, it is retained each time the system is rebooted.

IP address

Enter the desired IP address for the camera. The IP address must be valid for the network.

Subnet mask

Enter the appropriate subnet mask for the set IP address.

Gateway address

Enter the IP address of the gateway to establish a connection to a remote location in a different subnet. Otherwise, this field can remain empty (0.0.0.0).

5.5 Encoder

Select a profile for encoding the video signal. Pre-programmed profiles are available that give priority to different parameters. When a profile is selected, its details are displayed.

Main frequency and Operation environment

Select **50 Hz** or **60 Hz** as the main frequency, and **Indoor** or **Outdoor** for the operation environment.

5.6 Audio

Switch the camera microphone **On** or **Off**.

5.7 Recording

Record the images from the camera to a storage medium. For long-term authoritative images, it is essential to use an NVR or an appropriately sized iSCSI system.

5.7.1 Storage medium

1. Select the required storage medium from the list.
2. Click **Start** to start recording or **Stop** to end recording.

5.8 System Overview

This page provides general information on the hardware and firmware system, including version numbers. No items can be changed on this page but they can be copied for information purposes when troubleshooting.

6 Advanced Mode

6.1 Advanced Mode menu tree

The advanced mode configuration menu contains all camera parameters that can be configured.

Advanced Mode	
>	General
>	Web Interface
>	Camera
>	Recording
>	Alarm
>	Interfaces
>	Network
>	Service

To view the current settings:

1. Click the **Advanced Mode** menu to expand it. The associated menu sub-headings are displayed.
2. Click a menu sub-heading to expand it.
3. Click a sub-menu. The corresponding page is opened.

The settings are changed by entering new values or by selecting a pre-defined value in a list field.

Saving changes

After making changes in a window, click **Set** to send the new settings to the device and save them there.

Clicking **Set** saves only the settings in the current window.

Changes in any other windows are ignored.

Click **SETTINGS** in the applications title bar to close the window without saving the changes made.

Note:

When entering names do not use any special characters, for example **&**. Special characters are not supported by the internal recording management system.

6.2 General

General	
>	Identification
>	Password
>	Date/Time
>	Display Stamping

6.2.1 Identification

Camera ID

Each camera should be assigned a unique identifier that can be entered here as an additional means of identification.

Camera name

Assign a camera name to assist in identifying it. The name simplifies the management of multiple devices in more extensive systems, for example the VIDOS or Bosch VMS software. The camera name is used for remote identification, for example, in the event of an alarm. Enter a name that makes it as easy as possible to identify the location unambiguously.

Initiator extension

Add text to an initiator name to make identification easier in large iSCSI systems. This text is added to the initiator name, separated from it by a full stop.

6.2.2 Password

A password prevents unauthorized access to the device. The device recognizes three authorization levels: **service**, **user**, and **live**.

- **service** is the highest authorization level. Entering the correct password gives access to all the functions of the camera and allows all configuration settings to be changed.
- **user** is the middle authorization level. This user can operate the device, play back recordings, and also control a camera but cannot change the configuration.

- **live** is the lowest authorization level. It can only be used to view the live video image and switch between the different live image displays.

Use the various authorization levels to limit access. Proper password protection is only guaranteed if all higher authorization levels are also protected with a password. For example, if a **live** password is assigned, a **service** and a **user** password should also be set. When assigning passwords, always start from the highest authorization level, **service**, and use different passwords.

Password

Define and change a separate password for each level while logged in as **service** or if the device is not protected by a password. Enter the password (19 characters maximum) for the selected level.

Confirm password

Re-enter the new password to ensure that there are no typing mistakes.

The new password is only saved after clicking **Set**. Therefore, click **Set** immediately after entering and confirming the password, even if assigning a password at another level.

6.2.3 Date/Time

Date format

Select the required date format.

Device date / Device time

If there are multiple devices operating in your system or network, it is important to synchronize their internal clocks. For example, it is only possible to identify and correctly evaluate simultaneous recordings when all devices are operating on the same time.

1. Enter the current date. Since the device time is controlled by the internal clock, it is not necessary to enter the day of the week – it is added automatically.
2. Enter the current time or click **Sync to PC** to apply the system time from your computer to the device.

Note:

It is important to ensure that the date/time is correct for recording. An incorrect date/time setting could prevent correct recording.

Device time zone

Select the time zone in which the system is located.

Daylight saving time

The internal clock can switch automatically between normal and daylight saving time (DST). The device already contains the data for DST switch-overs up to the year 2015. Use this data or create alternative time saving data, if required.

First, check the time zone setting. If it is not correct, select the appropriate time zone for the system:

1. Click **Set**.
2. Click **Details**. A new window opens showing an empty table.
3. Click **Generate** to fill the table with the preset values from the camera.
4. Select the region or the city which is closest to the system's location from the list box below the table.

5. Click one of the entries in the table to make changes. The entry is highlighted.
6. Click **Delete** to remove the entry from the table.
7. Choose other values from the list boxes under the table, to change the selected entry. Changes are immediate.
8. If there are empty lines at the bottom of the table, for example after deletions, add new data by marking the row and selecting values from the list boxes.
9. When finished, click **OK** to save and activate the table.

Note:

If a table is not created, there is no automatic switching. When editing the table, note that values occur in linked pairs (DST start and end dates).

Time server IP address

The camera can receive the time signal from a time server using various time server protocols and then use it to set the internal clock. The device polls the time signal automatically once every minute. Enter the IP address of a time server.

Time server type

Select the protocol that is supported by the selected time server. It is recommended to select the **SNTP server** protocol. This protocol provides high accuracy and is required for special applications and future function extensions. Select **Time server** if the server uses the RFC 868 protocol.

6.2.4 Display Stamping

Various overlays or stamps in the video image provide important supplementary information. These overlays can be enabled individually and arranged on the image in a clear manner.

Camera name stamping

This field sets the position of the camera name overlay. It can be displayed at the **Top**, at the **Bottom**, or at a position of choice using the **Custom** option, or it can be set to **Off** for no overlay information.

If the **Custom** option is selected, enter values in the X and Y position fields.

Time stamping

This field sets the position of the time and date overlay. It can be displayed at the **Top**, at the **Bottom**, or at a position of choice using the **Custom** option, or it can be set to **Off** for no overlay information.

If the **Custom** option is selected, enter values in the X and Y position fields.

Display milliseconds

If necessary, display milliseconds for Time stamping. This information can be useful for recorded video images; however, it does increase the processor's computing time. Select **Off** if displaying milliseconds is not needed.

Alarm mode stamping

Select **On** for a text message to be overlaid in the event of an alarm. It can be displayed at a position of choice using the **Custom** option, or it can be set to **Off** for no overlay information.

If the **Custom** option is selected, enter values in the X and Y position fields.

Alarm message

Enter the message to be displayed on the image in the event of an alarm. The maximum text length is 31 characters.

Video watermarking

Select **On** for the transmitted video images to be watermarked. After activation, all images are marked with an icon. The icon indicates if the sequence (live or saved) has been manipulated.

6.3 Web Interface

Web Interface	
>	Appearance
>	LIVEPAGE Functions
>	Logging

6.3.1 Appearance

Adapt the appearance of the web interface and change the website language to meet your requirements. If necessary, replace the company's logo (top right) and the device name (top left) in the top part of the window with individual graphics. Either GIF or JPEG images can be used. The file paths must correspond to the access mode (for example, C:\Images\Logo.gif for access to local files or <http://www.myhostname.com/images/logo.gif> for access via the Internet/Intranet). For access via the Internet/Intranet, there must be a connection in order to display the image. The image files are not stored on the camera. To restore the original graphics, delete the entries in the Company logo and Device logo fields.

Website language

Select the language for the user interface here.

Company logo

Enter the path to a suitable image in this field. The image can be stored on a local computer, a local network, or at an Internet address.

Note:

When the image was stored on a local computer, it can only be displayed by this local computer.

Device logo

Enter the path for a suitable image for the device logo in this field. The image can be stored on a local computer, a local network, or at an Internet address.

6.3.2 LIVEPAGE Functions

In this window, adapt the **Livepage** functions to meet your requirements. Choose from a variety of different options for displaying information and controls.

1. Mark the check boxes for the functions to be displayed on the **Livepage**. The selected elements are checked.
2. Check the **Livepage** to see how the desired items are available.

Transmit audio

When selected, the audio from the camera (if on) is sent to the computer.

Show alarm inputs

The alarm inputs are displayed next to the video image as icons along with their assigned names. If an alarm is active, the corresponding icon changes color.

Show relay outputs

The relay output is shown next to the video image as an icon along with its assigned name. If a relay is switched, the icon changes color.

Show VCA metadata

When video content analysis (VCA) is activated, additional information is displayed in the live video stream. For example, in **Motion+** mode, the sensor areas for motion detection are marked.

Show event log

The event messages are displayed with the date and time in a field next to the video image.

Show system log

The system messages are displayed with the date and time in a field next to the video image and provide information about the establishment and termination of connections, etc.

Allow snapshots

Specify whether the icon for saving individual images should be displayed below the live image. Individual images can only be saved if this icon is visible.

Allow local recording

Specify whether the icon for saving video sequences on the local memory should be displayed below the live image. Video sequences can only be saved if this icon is visible.

Path for JPEG and video files

Enter the path for the storage location of individual images and video sequences saved from the **Livepage**. If necessary, click **Browse** to find a suitable folder.

6.3.3 Logging

Save event log

Select this option to save event messages in a text file on the local computer. This file can be viewed, edited, and printed with any text editor or standard office software.

File for event log

Enter the path for saving the event log here. If necessary, click **Browse** to find a suitable folder.

Save system log

Select this option to save system messages in a text file on the local computer. This file can be viewed, edited, and printed with any text editor or standard office software.

File for system log

Enter the path for saving the system log here. If necessary, click **Browse** to find a suitable folder.

6.4 Camera

Camera	
>	Picture Settings
>	Encoder Profile
>	Encoder Streams
>	Audio
>	Installer Menu

6.4.1 Picture Settings

Contrast (0...255)

Adjusts the contrast of the image.

Saturation (0...255)

Adjusts the color saturation; 0 gives a monochrome image.

Brightness (0...255)

Adjusts the brightness of the image.

White balance

- **ATW:** Auto tracking white balance allows the camera to continually adjust for optimal color reproduction.
- In **Manual** mode the Red, Green, and Blue gain can be manually set to a desired position.

Apply white balance: Hold puts the ATW on hold and saves the color settings.

R-gain

The red gain adjustment offsets the factory white point alignment (reducing red introduces more cyan).

G-gain

The green gain adjustment offsets the factory white point alignment to optimize the white point.

B-gain

The blue gain adjustment offsets the factory white point alignment (reducing blue introduces more yellow).

It is only necessary to change the white point offset for special scene conditions.

Default

Click **Default** to set all video values to their factory setting.

6.4.2 Encoder Profile

The camera generates up to four video streams simultaneously (quad streaming). Set the encoder profiles for these streams to match the operating environment (network structure, bandwidth, processing power).

Select the settings for each stream individually. For example, set one stream for use on the Internet and another stream for LAN connections.

Pre-programmed profiles

Eight definable profiles are available. The pre-programmed profiles give priority to different parameters.

- **HD high quality / low latency**
High resolution for high bandwidth connections
- **HD high quality**
High resolution with lower data rate
- **HD low bandwidth**
High resolution for low bandwidth connections
- **SD high quality / low latency**
4CIF/D1 resolution for connections at 4000 kbps maximum
- **SD high quality**
CIF resolution for connections at 3000 kbps maximum
- **SD low bandwidth**
CIF resolution for connections at 1500 kbps maximum
- **DSL**
CIF resolution for connections at 500 kbps maximum
- **ISDN (2B)**
CIF resolution for connections at 100 kbps maximum

Profile Configuration

Profiles can be configured for use with the H.264 settings of encoder streams. Select a profile by clicking the appropriate tab. Change the name of a profile and individual parameter values within a profile.

Profiles are rather complex. They include a number of parameters that interact with one another, so it is generally best to use the default profiles. Only change a profile if completely familiar with all the configuration options. The parameters as a group constitute a profile and are dependent on one another. If a setting outside the permitted range for a parameter is entered, the nearest valid value is substituted when the settings are saved.

Profile name

Enter a new name for the profile here.

Target bit rate

To optimize utilization of the bandwidth in the network, limit the bit rate for the camera. The target bit rate should be set according to the desired picture quality for typical scenes with no excessive motion.

For complex images or frequent changes of image content due to frequent movements, this limit can temporarily be exceeded up to the value entered in the **Maximum bit rate** field.

Maximum bit rate

This maximum bit rate is not exceeded under any circumstances. Depending on the video quality settings for the I-frames and P-frames, this can result in individual images being skipped.

The value entered here must be at least 10% higher than the value entered in the **Target bit rate** field. If the value entered here is too low, it is automatically adjusted.

Encoding interval

The **Encoding interval** slider determines the interval at which images are encoded and transmitted. This can be particularly

advantageous with low bandwidths. The image rate in ips (images per second) is displayed next to the slider.

Video resolution

Select the desired resolution for the video image. The following resolutions are available:

- **CIF**
352 × 240 pixels
- **4CIF/D1**
704 × 480 pixels
- **QVGA**
320 × 240 pixels
- **VGA**
640 × 480 pixels
- **720p**
1280 × 720 pixels

Expert Settings

if necessary, use the expert settings to adapt the I-frame quality and the P-frame quality to specific requirements. The setting is based on the H.264 quantization parameter (QP).

GOP structure

Select the structure you require for the Group of Pictures. Depending on whether you place greater priority on having the lowest possible delay (IP frames only) or using as little bandwidth possible, you choose IP, IBP or IBBP.

I-frame distance

Use the slider to set the distance between I-frames to **Auto** or to between **3** and **60**. An entry of **3** means that every third image is an I-frame. The lower the number, the more I-frames are generated.

I-frame quality

This setting sets the image quality of the I-frames. Select **Auto** to ensure that the maximum bit rate is not exceeded. **Auto** automatically changes the I-frame quality to the settings for the P-frame image quality.

P-frame quality

This setting adjusts the maximum image quality of the P-frames.

Auto automatically adjusts to the optimum combination of movement and image definition (focus). The value **9** represents maximum image quality, a value of **51** represents minimum quality. With the slide control, define a control range from a chosen value to **51**. The encoder delivers the best possible quality within this control range while maintaining the maximum bit rate.

Default

Click **Default** to return the profile to the factory default values.

6.4.3 Encoder Streams

Select H.264 Settings

1. The codec algorithm for stream 1 is always:
 - **H.264 MP 720p25/30 fixed**
2. Select the codec algorithm for stream 2. The following are available:
 - **Copy Stream 1**
 - **H.264 BP+ bit-rate-limited**
 - **H.264 MP SD**
3. Select the default profile for each stream from the eight profiles that have been defined.

Preview >>

Previews of streams 1 and 2 can be shown.

1. Click **Preview >>** to display a preview of the video for streams 1 and 2. the current profile is shown above the preview.
2. Click **1:1 Live View** below a preview to open a viewing window for that stream. Various additional items of information are shown across the top of the window.
3. Click **Preview <<** to close the preview displays.

Note:

Deactivate the display of the video images if the performance of the computer is adversely affected by the decoding of the data stream.

JPEG stream

Set the parameters for the M-JPEG stream.

- Select the **Max. frame rate** in images per second (IPS).
- The **Picture quality** slider allows adjustment of the M-JPEG image quality from **Low** to **High**.

Note:

The M-JPEG resolution follows the highest resolution setting of either stream 1 or stream 2. For example, if stream 1 is VGA and stream 2 is QVGA, the JPEG resolution will be VGA. The M-JPEG frame rate varies depending on system loading.

6.4.4 Audio

Select the microphone or line-in connector as the **Audio input** or switch it off. Adjust the **Input volume** with the slider.

Switch the **Audio output On** or **Off**.

Select **G.711** or **L16** as the audio **Recording format**. The default value is **G.711**. Select **L16** if you want better audio quality with higher sampling rates. This requires approximately eight times the G.711 bandwidth.

6.4.5 Installer Menu

Camera LED

Disable the **Camera LED** on the camera to switch it off.

Mirror image

Enable **Mirror image** to obtain a vertically flipped image (around the horizontal axis) of the camera picture.

Flip image

Enable **Flip image** to obtain a horizontally flipped image (around the vertical axis) of the camera picture.

Main frequency and Operation environment

Select **50 Hz** or **60 Hz** as the main frequency, and **Indoor** or **Outdoor** for the operation environment.

Exposure/frame rate

- **Auto exposure/frame rate:** the camera automatically sets the framerate. The camera tries to maintain the selected default shutter speed as long as the light level of the scene permits.
Select a minimum frame rate from 4 to 30 fps.
- **Fixed exposure:** allows a user-defined shutter time.
Select the shutter speed when exposure control is set to fixed (1/25, 1/33, 1/50, 1/100 for 50 Hz) or (1/30, 1/40, 1/60, 1/120 for 60 Hz).

Note:

Shutter time is affected by frame rate in auto framerate mode. For example, if the frame rate is 30 IPS, the longest shutter time available is 1/30s.

6.5 Recording

Recording	
>	Storage Management
>	Recording Profiles
>	Retention Time
>	Recording Scheduler
>	Recording Status

Record the images from the camera to local storage media or to an appropriately configured iSCSI system.

SDHC cards are the ideal solution for shorter storage times and temporary recordings, for example, local buffering in the event of network interruptions.

Continuous Recording Hours				
Profiles	SDHC card capacity			
	4 GB	8 GB	16 GB	32 GB
HD high quality / low latency	1.5 h	3 h	6 h	12 h
HD low bandwidth	3.5 h	7 h	14 h	28 h
SD high quality / low latency	5 h	10 h	20 h	40 h
SD low bandwidth	12 h	24 h	48 h	96 h

Note:

The recording hours table is only an indication for reference, an actual situation might be different (because of different scenes or networking status for example).

For long-term authoritative images use an appropriately sized iSCSI system.

A Video Recording Manager (**VRM**) can control all recording when accessing an iSCSI system. The VRM is an external program for configuring recording tasks for video servers. For

further information, contact your local customer service at Bosch Security Systems.

6.5.1 Storage Management

Device manager

If the **VRM** option is activated, the VRM Video Recording Manager manages all recording and no further settings can be configured here.

Note:

Activating or deactivating VRM causes the current settings to be lost; they can only be restored through reconfiguration.

Recording media

Select the required recording media to activate them and then configure the recording parameters.

iSCSI Media

If an **iSCSI system** is selected as the storage medium, a connection to the desired iSCSI system is needed to set the configuration parameters.

The storage system selected must be available on the network and completely set up. Amongst other things, it must have an IP address and be divided into logical drives (LUN).

1. Enter the IP address of the required iSCSI destination in the **iSCSI IP address** field.
2. If the iSCSI destination is password protected, enter this into the **Password** field.
3. Click the **Read** button. The connection to the IP address is established. The **Storage overview** field displays the logical drives.

Local Media

The supported local recording media is displayed in the storage overview field.

SD card recording performance is highly dependent on the speed (class) and performance of the SD card. An SD card of Class 4 or higher is recommended.

Note:

If a device had primary and secondary recording running on the SD card and is then added to a VRM system, the blocks used for primary recording will not be re-used, reducing the available recording space for ANR recording. This can be solved by re-formatting the SD card.

Throughput limit for simultaneous recording and local replay at 100% playback speed is:

- maximum total recording bit rate of 7 Mbps for external iSCSI recording.
- maximum total recording bit rate of 10 Mbps for SD card recording, depending on SD card performance.

Activating and Configuring Storage Media

The storage overview displays the available storage media. Select individual media or iSCSI drives and transfer these to the **Managed storage media** list. Activate the storage media in this list and configure them for storage.

Note:

Each storage medium can only be associated with one user. If a storage medium is already being used by another user, decouple the user and connect the drive to the camera. Before decoupling, make absolutely sure that the previous user no longer needs the storage medium.

1. In the **Recording media** section, click the **iSCSI Media** or **Local Media** tab to display the applicable storage media in the overview.
2. In the **Storage overview** section, double-click the required storage medium, a SD card, an iSCSI LUN or one of the other available drives. The medium is then added to the **Managed storage media** list. Newly added media is indicated in the **Status** column by the status **Not active**.
3. Click **Set** to activate all media in the **Managed storage media** list. These are indicated in the **Status** column by the status **Online**.

4. Check the box in the **Rec. 1** or **Rec. 2** column to specify which data stream should be recorded on the storage media selected. **Rec. 1** stores stream 1, **Rec. 2** stores stream 2.
5. Check the boxes for the **Overwrite older recordings** option to specify which older recordings can be overwritten once the available memory capacity has been used. **Recording 1** corresponds to stream 1, **Recording 2** corresponds to stream 2.

Note:

If older recordings are not allowed to be overwritten when the available memory capacity has been used, the recording in question is stopped. Specify limitations for overwriting old recordings by configuring the retention time.

Formatting Storage Media

Delete all recordings on a storage medium at any time. Check the recordings before deleting and back up important sequences on the computer's hard drive.

1. Click a storage medium in the **Managed storage media** list to select it.
2. Click **Edit** below the list. A new window opens.
3. Click **Formatting** to delete all recordings in the storage medium.
4. Click **OK** to close the window.

Deactivating Storage Media

Deactivate any storage medium from the **Managed storage media** list. It is then no longer used for recordings.

1. Click a storage medium in the **Managed storage media** list to select it.
2. Click **Remove** below the list. The storage medium is deactivated and removed from the list.

6.5.2 Recording Profiles

Define up to ten different recording profiles here, then assign these to individual days or times of day on the **Recording Scheduler** page. Modify the names of the recording profiles on the tabs in the **Recording Scheduler** page.

1. Click a tab to edit the corresponding profile.
2. If necessary, click **Default** to return all settings to their defaults.
3. Click **Copy Settings** to copy the currently visible settings to other profiles. A window opens to select the target profiles for the copied settings.
4. For each profile, click **Set** to save.

Stream profile settings

Select the profile setting that is to be used for each data stream when recording. This selection is independent of the selection for live data stream transmission. (The properties of the profiles are defined on the **Encoder Profile** page.)

Recording includes

Specify whether, in addition to video data, audio or metadata (for example alarms or VCA data) should also be recorded. Including metadata could make subsequent searches of recordings easier but it requires additional memory capacity. Without metadata, it is not possible to include video content analysis in recordings.

Standard recording

Select the mode for standard recordings:

- **Continuous:** the recording proceeds continuously. If the maximum memory capacity is reached, older recordings will automatically be overwritten.
- **Pre-alarm:** recording takes place in the pre-alarm time, during the alarm and during the post-alarm time only.
- **Off:** no automatic recording takes place.

In the **Stream** list box, select Stream 1, Stream 2 or I-frames only for standard recordings.

Alarm recording

Select the **Pre-alarm time** from the list box.

Select the **Post-alarm time** from the list box.

Select the **Alarm stream** to use for alarm recording.

Check the **with encoding interval from profile:** box and select a predefined profile to set a specific encoding interval for alarm recording.

Check the **Export to FTP** box to send standard H.264 files to the FTP server whose address is displayed.

Alarm triggers

Select the alarm type (**Alarm input/ Motion/Audio alarm / Video loss alarm**) that is to trigger a recording. Select the **Virtual alarm** sensors that are to trigger a recording, via RCP+ commands or alarm scripts, for example.

6.5.3 Retention Time

Specify the retention times for recordings. If the available memory capacity of a medium has been used, older recordings are only overwritten if the retention time entered here has expired.

Make sure that the retention time corresponds with the available memory capacity. A rule of thumb for the memory requirement is as follows: 1 GB per hour retention time with VGA for complete frame rate and high image quality.

Enter the required retention time in hours or days for each recording. **Recording 1** corresponds to Stream 1; **Recording 2** corresponds to Stream 2.

6.5.4 Recording Scheduler

The recording scheduler allows you to link the created recording profiles to the days and times at which the camera's images are to be recorded in the event of an alarm. Schedules can be defined for weekdays and for holidays.

Weekdays

Assign as many time periods (in 15-minute intervals) as needed for any day of the week. Move the mouse cursor over the table – the time is displayed.

1. Click the profile to be assigned in the **Time periods** box.
2. Click a field in the table and, while holding down the left mouse button, drag the cursor across all of the fields to be assigned to the selected profile.
3. Use the right mouse button to deselect any of the intervals.
4. Click **Select All** to select all of the intervals to be assigned to the selected profile.
5. Click **Clear All** to deselect all of the intervals.
6. When finished, click **Set** to save the settings to the device.

Holidays

Define holidays whose settings will override the settings for the normal weekly schedule.

1. Click the **Holidays** tab. Days that have already been defined are shown in the table.
2. Click **Add**. A new window opens.
3. Select the desired date from the calendar. Drag the mouse to select a range of dates. These are handled as a single entry in the table.
4. Click **OK** to accept the selection(s). The window closes.
5. Assign the defined holidays to the recording profile as described above.

Delete user-defined holidays at any time.

1. Click **Delete** in the **Holidays** tab. A new window opens.
2. Click the date to be deleted.
3. Click **OK**. The selection is removed from the table and the window is closed.
4. Repeat for any other dates to be deleted.

Profile names

To change the names of the recording profiles listed in the **Time periods** box:

1. Click a profile.
2. Click **Rename**.
3. Enter the new name and click **Rename** again.

Activate recording

After completing configuration, activate the recording schedule and start recording. Modify the configuration at any time.

1. Click **Start** to activate the recording schedule.
2. Click **Stop** to deactivate the recording schedule.
Recordings that are currently running are interrupted.

Recording status

The graphic indicates the recording activity. An animated graphic is seen when recording is taking place.

6.5.5 Recording Status

Details of the recording status are displayed here for information. These settings cannot be changed.

6.6 Alarm

Alarm	
>	Alarm Connections
>	VCA
>	Audio Alarm
>	Alarm E-Mail

6.6.1 Alarm Connections

Select the response of the camera when an alarm occurs. In the event of an alarm, the device can automatically connect to a pre-defined IP address. The device can contact up to ten IP addresses in the order listed until a connection is established.

Connect on alarm

Select **On** so that the camera automatically connects to a pre-defined IP address in the event of an alarm. Select **Follows input 1** so that the device maintains the connection for as long as an alarm exists.

Number of destination IP address

Specify the numbers of the IP addresses to be contacted in the event of an alarm. The device contacts the remote locations one after the other in the numbered sequence until a connection is made.

Destination IP address

For each number, enter the corresponding IP address for the desired remote station.

Destination password

If the remote station is password protected, enter the password here.

Only ten passwords can be defined here. Define a general password if more than ten connections are required, for example, when connections are initiated by a controlling system such as VIDOS or Bosch Video Management System.

The camera connects to all remote stations protected by the same general password. To define a general password:

1. Select 10 in the **Number of destination IP address** list box.
2. Enter 0.0.0.0 in the **Destination IP address** field.
3. Enter the password in the **Destination password** field.
4. Set the user password of all the remote stations to be accessed using this password.

Setting destination 10 to the IP-address 0.0.0.0 overrides its function as the tenth address to try.

Video transmission

If the device is operated behind a firewall, select **TCP (HTTP port)** as the transfer protocol. For use in a local network, select **UDP**.

Please note that in some circumstances, in the event of an alarm, a larger bandwidth must be available on the network for additional video images (if Multicast operation is not possible). To enable Multicast operation, select the **UDP** option for the **Video transmission** parameter here and on the **Network** page.

Stream

Select a stream to be transmitted.

Remote port

Select a browser port, depending on the network configuration. The ports for HTTPS connections are only available if the **On** option in **SSL encryption** is selected.

Video output

If it is known which device is being used as the receiver, select the analog video output to which the signal should be switched. If the destination device is unknown, it is advisable to select the **First available** option. In this case, the image is placed on the first free video output. This is an output on which there is no signal. The connected monitor only displays images when an alarm is triggered. If a particular video output is selected and a split image is set for this output on the receiver, select the decoder from **Decoder** in the receiver that is to be used to

display the alarm image. Refer to the destination device documentation concerning image display options and available video outputs.

Decoder

Select a decoder of the receiver to display the alarm image. The decoder selected has an impact on the position of the image in a split screen.

SSL encryption

SSL encryption protects data used for establishing a connection, such as the password. By selecting **On**, only encrypted ports are available for the **Remote port** parameter. SSL encryption must be activated and configured on both sides of a connection. The appropriate certificates must also have been uploaded.

Auto-connect

Select **On** to automatically re-established a connection to one of the previously specified IP addresses after each reboot, connection breakdown, or network failure.

Audio

Select **On** to transmit the audio stream with an alarm connection.

6.6.2 Video Content Analyses (VCA)

The camera has integrated VCA which can detect and analyze changes in the signal using image processing algorithms. Such changes can be due to movements in the camera's field of view. Select various VCA configurations and adapt these to your application, as required. The **Silent MOTION+** configuration is active by default. In this configuration, metadata is created to facilitate searches of recordings, however, no alarm is triggered.

1. Select a VCA configuration and make the required settings.
2. If necessary, click the **Default** button to return all settings to their default values.

6.6.3 VCA configuration- Profiles

Configure two profiles with different VCA configurations. Save profiles on your computer's hard drive and load saved profiles from there. This can be useful if testing a number of different configurations. Save a functioning configuration and test new settings. Use the saved configuration to restore the original settings at any time.

1. Select a VCA profile and enter the required settings.
2. If necessary, click **Default** to return all settings to default values.
3. Click the **Save...** to save the profile settings to another file. A new window opens in which to specify the file name and where to save it.
4. Click **Load...** to load a saved profile. A new window opens in which to select the profile file and specify where to save the file.

To rename a profile:

1. To rename the file, click the icon to the right of the list field and enter the new profile name in the field. (Do not use any special characters, for example &.)
2. Click the icon again. The new profile name is saved.

The current alarm status is displayed for information purposes.

Aggregation time [s]

Set an aggregation time of between 0 and 20 seconds. The aggregation time always starts when an alarm event occurs. It extends the alarm event by the value set. This prevents alarm events that occur in quick succession from triggering several alarms and successive events in a rapid sequence. No further alarm is triggered during the aggregation time.

The post-alarm time set for alarm recordings only starts once the aggregation time has expired.

Analysis type

Select the required analysis algorithm. By default, only **Motion+** is available – this offers a motion detector and essential recognition of tampering.

Metadata is always created for a video content analysis, unless this was explicitly excluded. Depending on the analysis type selected and the relevant configuration, additional information overlays the video image in the preview window next to the parameter settings. With the **Motion+** analysis type, for example, the sensor fields in which motion is recorded are marked with rectangles.

Motion detector

Motion detection is available for the **Motion+** analysis type. For the detector to function, the following conditions must be met:

- Analysis must be activated.
- At least one sensor field must be activated.
- The individual parameters must be configured to suit the operating environment and the desired responses.
- The sensitivity must be set to a value greater than zero.

Note:

Reflections of light (from glass surfaces, etc.), lights switching on and off, or changes in the light level caused by cloud movement on a sunny day can trigger unintended responses from the motion detector and generate false alarms. Run a series of tests at different times of the day and night to ensure that the video sensor is operating as intended. For indoor surveillance, ensure constant lighting of the areas during the day and at night.

Sensitivity

Sensitivity is available for the **Motion+** analysis type. The basic sensitivity of the motion detector can be adjusted for the environmental conditions to which the camera is subject. The sensor reacts to variations in the brightness of the video image. The darker the observation area, the higher the value that must be selected.

Minimum object size

Specify the number of sensor fields that a moving object must cover to generate an alarm. This setting prevents objects that are too small from triggering an alarm. A minimum value of 4 is recommended. This value corresponds to four sensor fields.

Debounce time 1 s

The debounce time prevents very brief alarm events from triggering individual alarms. If the **Debounce time 1 s** option is activated, an alarm event must last at least 1 second to trigger an alarm.

Selecting the area

Select the areas of the image to be monitored by the motion detector. The video image is subdivided into square sensor fields. Activate or deactivate each of these fields individually. To exclude particular regions of the camera's field of view from monitoring due to continuous movement (by a tree in the wind, for example), the relevant fields can be deactivated.

1. Click **Select Area** to configure the sensor fields. A new window opens.
2. If necessary, click **Clear All** first to clear the current selection (fields marked red).
3. Left-click the fields to be activated. Activated fields are marked red.
4. If necessary, click **Select All** to select the entire video-frame for monitoring.
5. Right-click any fields to deactivate.
6. Click **OK** to save the configuration.
7. Click the close button (**X**) in the window title bar to close the window without saving the changes.

Tamper detection

Detect tampering of cameras and video cables by means of various options. Run a series of tests at different times of the day and night to ensure that the video sensor is operating as intended.

Sensitivity and **Trigger delay [s]** can only be changed if **Reference check** is selected.

Sensitivity

The basic sensitivity of the tamper detection can be adjusted for the environmental conditions to which the camera is subject. The algorithm reacts to the differences between the reference image and the current video image. The darker the observation area, the higher the value that must be selected.

Trigger delay [s]

Set delayed alarm triggering here. The alarm is only triggered after a set time interval in seconds has elapsed and then only if the triggering condition still exists. If the original condition has been restored before this time interval elapses, the alarm is not triggered. This avoids false alarms triggered by short-term changes, for example, cleaning activities in the direct field of vision of the camera.

Global change (slider)

Set how large the global change in the video image must be for an alarm to be triggered. This setting is independent of the sensor fields selected under **Select Area**. Set a high value if fewer sensor fields need to change to trigger an alarm. With a low value, it is necessary for changes to occur simultaneously in a large number of sensor fields to trigger an alarm. This option allows detection, independently of motion alarms, manipulation of the orientation or location of a camera resulting from turning the camera mount bracket, for example.

Global change

Activate this function if the global change, as set with the Global change slide control, should trigger an alarm.

Scene too bright

Activate this function if tampering associated with exposure to extreme light (for instance, shining a flashlight directly on the objective) should trigger an alarm. The average brightness of the scene provides a basis for recognition.

Scene too dark

Activate this function if tampering associated with covering the objective (for instance, by spraying paint on it) should trigger an alarm. The average brightness of the scene provides a basis for recognition.

Scene too noisy

Activate this function if tampering associated with EMC interference (noisy scene as the result of a strong interference signal in the vicinity of the video lines) should trigger an alarm.

Reference check

Save a reference image that can be continuously compared with the current video image. If the current video image in the marked areas differs from the reference image, an alarm is triggered. This detects tampering that would otherwise not be detected, for example, if the camera is turned.

1. Click **Reference** to save the currently visible video- image as a reference.
2. Click **Select Area** and select the areas in the reference image that are to be monitored.
3. Check the box **Reference check** to activate the on-going check. The stored reference image is displayed in black and white below the current video image, and the selected areas are marked in yellow.
4. Select the **Disappearing edges** or **Appearing edges** option to specify the reference check once again.

Disappearing edges

The area selected in the reference image should contain a prominent structure. If this structure is concealed or moved, the reference check triggers an alarm. If the selected area is too homogenous, so that concealing and moving the structure would not trigger an alarm, then an alarm is triggered immediately to indicate the inadequate reference image.

Appearing edges

Select this option if the selected area of the reference image includes a largely homogenous surface. If structures appear in this area, then an alarm is triggered.

Selecting the area

Select the image areas in the reference image that are to be monitored. The video image is subdivided into square fields. Activate or deactivate each of these fields individually. Select only those areas for reference monitoring in which no movement takes place and that are always evenly lit, as false alarms could otherwise be triggered.

1. Click **Select Area** to configure the sensor fields. A new window opens.
2. If necessary, click **Clear All** first to clear the current selection (fields marked yellow).
3. Left-click the fields to be activated. Activated fields are marked yellow.
4. If necessary, click **Select All** to select the entire video-frame for monitoring.
5. Right-click any fields to deactivate.
6. Click **OK** to save the configuration.
7. Click the close button (**X**) in the window title bar to close the window without saving the changes.

6.6.4 VCA configuration - Scheduled

A scheduled configuration allows you to link a VCA profile with the days and times at which the video content analysis is to be active. Schedules can be defined for weekdays and for holidays.

Weekdays

Link any number of 15-minute intervals with the VCA profiles for each day of the week. Moving the mouse cursor over the table displays the time below it. This aids orientation.

1. Click the profile to link in the **Time periods** field.
2. Click in a field in the table, hold down the mouse button and drag the cursor over all the periods to be assigned to the selected profile.
3. Use the right mouse button to deselect any of the intervals.
4. Click **Select All** to link all time intervals to the selected profile.
5. Click **Clear All** to deselect all of the intervals.
6. When finished, click **Set** to save the settings in the device.

Holidays

Define holidays on which a profile should be active that are different to the standard weekly schedule.

1. Click the **Holidays** tab. Any days that have already been selected are shown in the table.
2. Click **Add**. A new window opens.
3. Select the desired date from the calendar. Select several consecutive calendar days by holding down the mouse button. These will later be displayed as a single entry in the table.
4. Click **OK** to accept the selection. The window closes.
5. Assign the individual holidays to the VCA profiles, as described above.

Deleting Holidays

Delete defined holidays at any time:

1. Click **Delete**. A new window opens.
2. Click the date to delete.

3. Click **OK**. The item is deleted from the table and the window closes.
4. The process must be repeated for deleting additional days.

6.6.5 VCA configuration - Event triggered

This configuration allows you to stipulate that the video content analysis is only to be activated when triggered by an event. As long as no trigger is activated, the **Silent MOTION+** configuration in which metadata is created is active; this metadata facilitates searches of recordings, but does not trigger an alarm.

Trigger

Select a physical alarm or a virtual alarm as a trigger. A virtual alarm is created using software, with RCP+ commands or alarm scripts, for example.

Trigger active

Select the VCA configuration here that is to be enabled via an active trigger. A green check mark to the right of the list field indicates that the trigger is active.

Trigger inactive

Select the VCA configuration here that is to be activated if the trigger is not active. A green check mark to the right of the list field indicates that the trigger is inactive.

Delay [s]

Select the delay period for the reaction of the video content analysis to trigger signals. The alarm is only triggered after a set time interval in seconds has elapsed and then only if the triggering condition still exists. If the original condition has been restored before this time interval elapses, the alarm is not triggered. A delay period may be useful in avoiding false alarms or frequent triggering. During the delay period, the **Silent MOTION+** configuration is always enabled.

6.6.6 Audio Alarm

Create alarms based on audio signals. Configure signal strengths and frequency ranges so that false alarms, for example, machine noise or background noise, are avoided. Set up normal audio transmission before configuring the audio alarm.

Audio alarm

Select **On** for the device to generate audio alarms.

Name

The name makes it easier to search for or identify the alarm in extensive video monitoring systems, for example with the Bosch Video Client and Bosch Video Management System programs. You can also use the name in the Forensic Search program function as a filter option for quick search in recordings. Enter a unique and clear name here. (Do not use any special characters, for example &.)

Signal Ranges

Exclude particular signal ranges in order to avoid false alarms. For this reason the total signal is divided into 13 tonal ranges (mel scale). Check or uncheck the boxes below the graphic to include or exclude individual ranges.

Threshold

Set up the threshold on the basis of the signal visible in the graphic. Set the threshold using the slide control or, alternatively, move the white line directly in the graphic using the mouse.

Sensitivity

Use this setting to adapt the sensitivity to the sound environment and effectively suppress individual signal peaks. A high value represents a high level of sensitivity.

6.6.7 Alarm E-Mail

As an alternative to automatic connecting, alarm states can also be documented by e-mail. This makes it possible to notify a recipient who does not have a video receiver. In this case, the camera automatically sends an e-mail to a user-defined e-mail address.

Send alarm e-mail

Select **On** for the device to automatically send an alarm e-mail in the event of an alarm.

Mail server IP address

Enter the IP address of a mail server that operates on the SMTP standard (Simple Mail Transfer Protocol). Outgoing e-mails are sent to the mail server via the address entered. Otherwise, leave the box blank (0.0.0.0).

SMTP user name

Enter a registered user name for the chosen mail server.

SMTP password

Enter the required password for the registered user name.

Format

Select the data format of the alarm message.

- **Standard (with JPEG):** e-mail with JPEG image file attachment.
- **SMS:** e-mail in SMS format to an e-mail-to-SMS gateway (for example, to send an alarm by cellphone) without an image attachment.

When a cellphone is used as the receiver, make sure to activate the e-mail or SMS function, depending on the format, so that these messages can be received. Obtain information on operating your cellphone from your cellphone provider.

Attach JPEG from camera

Check the box to specify that JPEG images are sent from the camera.

Destination address

Enter the e-mail address for alarm e-mails here. The maximum address length is 49 characters.

Sender name

Enter a unique name for the e-mail sender, for example, the location of the device. This makes it easier to identify the origin of the e-mail.

Test e-mail

Click **Send Now** to test the e-mail function. An alarm e-mail is immediately created and sent.

6.7 Interfaces

Interfaces	
>	Alarm input
>	Relay

6.7.1 Alarm input

Configure the alarm trigger for the camera.

Select **N.C.** (Normally Closed) if the alarm is to be triggered by opening the contact.

Select **N.O.** (Normally Open) if the alarm is to be triggered by closing the contact.

Name

Enter a name for the alarm input. This name can be displayed below the icon for the alarm input on the **LIVEPAGE**. (Do not use any special characters, for example &.)

6.7.2 Relay

Configure the switching behavior of the relay output.

Select different events that automatically activate an output.

For example, turn on a floodlight by triggering a motion alarm and then turn the light off again when the alarm has stopped.

Idle state

Select **Open** for the relay to operate as an N.O. contact, or select **Closed** if the relay is to operate as an N.C. contact.

Operating mode

Select an operating mode for the relay.

For example, if you want an alarm-activated lamp to stay on after the alarm ends, select **Bistable**. If you wish an alarm-activated siren to sound for ten seconds, for example, select **10 s**.

Relay follows

If required, select a specific event that will trigger the relay. The following events are possible triggers:

- **Off:** Relay is not triggered by events
- **Connection:** Trigger whenever a connection is made
- **Video alarm %s** Trigger by interruption of the video signal
- **Motion alarm %s** Trigger by motion alarm, as configured on the **VCA** page
- **Local input %s** Trigger by the corresponding external alarm input
- **Remote input %s:** Trigger by remote station's corresponding switching contact (only if a connection exists)

Relay name

The relay can be assigned a name here. The name is shown on the button next to **Trigger relay**. The **LIVEPAGE** can also be configured to display the name next to the relay icon. (Do not use any special characters, for example &.)

Trigger relay

Click the button to switch the relay manually (for example, for testing purposes or to operate a door opener).

6.8 Network

Network	
>	Network Access
>	Advanced
>	Multicast
>	FTP Posting

6.8.1 Network Access

The settings on this page are used to integrate the device into a network. Some changes only take effect after a reboot. In this case **Set** changes to **Set and Reboot**.

1. Make the desired changes.
2. Click **Set and Reboot**.

The device is rebooted and the changed settings are activated. If the IP address, subnet mask, or gateway address is changed, then the device is only available under the new addresses after the reboot.

Automatic IP assignment

If a DHCP server is employed in the network for the dynamic assignment of IP addresses, activate acceptance of IP addresses automatically assigned to the device.

Certain applications (Bosch Video Management System, Archive Player, Configuration Manager) use the IP address for the unique assignment of the device. If using these applications, the DHCP server must support the fixed assignment between IP address and MAC address, and must be appropriately set up so that, once an IP address is assigned, it is retained each time the system is rebooted.

IP address

Enter the desired IP address for the camera. The IP address must be valid for the network.

Subnet mask

Enter the appropriate subnet mask for the set IP address.

Gateway address

For the device to establish a connection to a remote location in a different subnet, enter the IP address of the gateway here. Otherwise, this field can remain empty (0.0.0.0).

DNS server address

The device can use a DNS server to find an address of a mail or FTP server specified as a name. Enter the IP address of the DNS server here.

Details >>

Video transmission

If the device is used behind a firewall, TCP (Port 80) should be selected as the transmission protocol. For use in a local network, choose UDP.

Multicast operation is only possible with the UDP protocol. The TCP protocol does not support multicast connections. The MTU value in UDP mode is 1514 bytes.

HTTP browser port

Select a different HTTP browser port from the list if required. The default HTTP port is 80. To limit connection to HTTPS, deactivate the HTTP port. To do this, activate the **Off** option.

HTTPS browser port

To limit browser access to encrypted connections, choose an HTTPS port from the list. The standard HTTPS port is 443. Select the **Off** option to deactivate HTTPS ports and limit connections to unencrypted ports.

The camera uses the TLS 1.0 protocol. Ensure that the browser has been configured to support this protocol. Also ensure that Java application support is activated (in the Java Plug-in Control Panel of the Windows Control Panel).

To limit connections to SSL encryption, set the **Off** option in the HTTP browser port, the RCP+ port, and Telnet support. This deactivates all unencrypted connections allowing connections on the HTTPS port only.

RCP+ port 1756

Activating RCP+ port 1756 allows unencrypted connections on this port. To allow only encrypted connections, set the **Off** option to deactivate the port.

Telnet support

Activating Telenet support allows unencrypted connections on this port. To allow only encrypted connections, set the **Off** option to deactivate telnet support, making telnet connections impossible.

Interface mode ETH

If necessary, select the Ethernet link type for interface **ETH**. Depending on the device connected, it may be necessary to select a special operation type.

Network MSS [Byte]

Set the maximum segment size for the IP packet's user data here. This gives the option to adjust the size of the data packets to the network environment and to optimize data transmission. Please comply with the MTU value of 1,514 bytes in UDP mode.

iSCSI MSS [Byte]

Specify a higher MSS value for a connection to the iSCSI system than for the other data traffic via the network. The potential value depends on the network structure. A higher value is only useful if the iSCSI system is located in the same subnet as the camera.

Enable DynDNS

DynDNS.org is a DNS hosting service that stores IP addresses in a database ready for use. It allows selecting the device via the Internet using a host name, without having to know the current IP address of the device. Enable this service here. To do this, obtain an account with DynDNS.org and register the required host name for the device on that site.

Note:

Information about the service, registration process and available host names can be found at DynDNS.org.

Host name

Enter the host name registered on DynDNS.org for the device here.

User name

Enter the user name registered at DynDNS.org here.

Password

Enter the password registered at DynDNS.org here.

Force registration now

Force the registration by transferring the IP address to the DynDNS server. Entries that change frequently are not provided in the Domain Name System. It is a good idea to force the registration when setting up the device for the first time. Only use this function when necessary and no more than once a day, to avoid the possibility of being blocked by the service provider. To transfer the IP address of the device, click the **Register** button.

Status

The status of the DynDNS function is displayed here for information purposes; these settings cannot be changed.

6.8.2 Advanced

The settings on this page are used to set advanced settings the network. Some changes only take effect after a reboot. In this case **Set** changes to **Set and Reboot**.

1. Make the desired changes.
2. Click **Set and Reboot**.

The device is rebooted and the changed settings are activated.

SNMP

The camera supports the SNMP V2 (Simple Network Management Protocol) for managing and monitoring network components, and can send SNMP messages (traps) to IP addresses. It supports SNMP MIB II in the unified code.

If **On** is selected for the SNMP parameter and a SNMP host address is not entered, the device does not send the traps automatically and will only reply to SNMP requests. If one or two SNMP host addresses are entered, SNMP traps are sent automatically. Select **Off** to deactivate the SNMP function.

1. SNMP host address / 2. SNMP host address

To send SNMP traps automatically, enter the IP addresses of one or two target devices here.

SNMP traps

To choose which traps are sent:

1. Click **Select**. A dialog box appears.
2. Click the check boxes of the appropriate traps.
3. Click **Set** to close the window and send all of the checked traps.

Authentication (802.1x)

To configure Radius server authentication, connect the camera directly to a computer using a network cable. If a Radius server controls access rights over the network, select **On** to activate authentication to communicate with the device.

1. Enter the user name that the Radius server uses for the camera in the **Identity** field.
2. Enter the **Password** that the Radius server expects from the camera.

RTSP port

If necessary, select a different port for the exchange of the RTSP data from the list. The standard RTSP port is 554. Select **Off** to deactivate the RTSP function.

UPnP

Select **On** to activate UPnP communication. Select **Off** to deactivate it.

When UPnP is activated the camera reacts to requests from the network and is registered automatically as a new network device on the inquiring computers.

Note:

To use the UPnP function on a computer with Windows XP or Windows Vista, the Universal Plug and Play Device Host and the SSDP Discovery services must be activated

This function should not be used in large installations due to the large number of registration notifications.

TCP metadata input

The device can receive data from an external TCP sender, for example an ATM or POS device, and store it as metadata.

Select the port for TCP communication. Select **Off** to deactivate the function. Enter a valid **Sender IP address**.

6.8.3 Multicast

In addition to a one-to-one connection between a camera and a single receiver (unicast), the camera can enable multiple receivers to receive the video signal simultaneously. This is either done by duplicating the data stream in the device and then distributing it to multiple receivers (multi-unicast), or by distributing an individual data stream in the network itself to multiple receivers in a defined group (multicast). Enter a dedicated multicast address and port for each stream. Then switch between the streams by clicking the associated tabs. The prerequisite for multicast operation is a multicast-capable network that uses the UDP and IGMP protocols. Other group membership protocols are not supported. The TCP protocol does not support multicast connections.

A special IP address (class D address) must be configured for multicast operation in a multicast-enabled network. The network must support group IP addresses and the Internet Group Management Protocol (IGMP V2). The address range is from 225.0.0.0 to 239.255.255.255. The multicast address can be the same for multiple streams. However, it is then necessary to use a different port in each case so that multiple data streams are not sent simultaneously using the same port and multicast address. The settings must be made individually for each stream.

Enable

Enable simultaneous data reception on several receivers that need to activate the multicast function. To do this, check the box and then enter the multicast address.

Multicast Address

Enter a valid multicast address to be operated in multicast mode (duplication of the data stream in the network). With the setting 0.0.0.0 the encoder for the stream operates in multi-unicast mode (copying of data stream in device). The camera supports multi-unicast connections for up to five simultaneously-connected receivers.

Duplication of data places a heavy demand on the CPU and can lead to impairment of the image quality under certain circumstances.

Port

Enter the port address for the stream here.

Streaming

Click the checkbox to activate multicast streaming mode. An activated stream is marked with a check. (Streaming is typically not required for standard multicast operation.)

Multicast packet TTL

A value can be entered to specify how long the multicast data packets are active on the network. If multicast is to be run via a router, the value must be greater than 1.

6.8.4 FTP Posting

Save individual JPEG images on an FTP server at specific intervals. If required, retrieve these images at a later date to reconstruct alarm events. JPEG resolution corresponds to the highest setting from the two data streams.

File name

Select how file names are created for the individual images that are transmitted.

- **Overwrite:** The same file name is always used and any existing file will be overwritten by the current file.
- **Increment:** A number from 000 to 255 is added to the file name and automatically incremented by 1. When it reaches 255, it starts again from 000.
- **Date/time suffix:** The date and time are automatically added to the file name. When setting this parameter, ensure that the date and time of the device are always set correctly. For example, the file snap011005_114530.jpg was stored on October 1, 2005 at 11.45 and 30 seconds.

Posting interval

Enter the interval in seconds at which the images are sent to an FTP server. Enter zero for no images to be sent.

FTP server IP address

Enter the IP address of the FTP server on which to save the JPEG images.

FTP server login

Enter your login name for the FTP server.

FTP server password

Enter the password that gives access to the FTP server.

Path on FTP server

Enter an exact path to post the images on the FTP server.

Max. bit rate

Enter a limit for the bit rate in kbps.

6.9 Service

Service	
>	Maintenance
>	System Overview

6.9.1 Maintenance



CAUTION!

Before starting a firmware update, make sure to select the correct upload file. Uploading the wrong files can result in the device no longer being addressable, requiring it to be replaced. Do not interrupt the firmware installation. Even changing to another page or closing the browser window leads to interruption. Interruption may lead to faulty coding of the Flash memory. This can result in the device no longer being addressable, requiring it to be replaced.

Firmware

The camera functions and parameters can be updated by uploading new firmware. To do this, the latest firmware package is transferred to the device via the network. The firmware is installed there automatically. Thus, a camera can be serviced and updated remotely without requiring a technician to make changes to the device on site. The latest firmware can be obtained from your customer service center or from the Bosch Security Systems download area.

To update the firmware:

1. First, store the firmware file on your hard disk.
2. Enter the full path for the firmware file in the field or click **Browse** to locate and select the file.
3. Click **Upload** to begin transferring the file to the device.

The progress bar allows monitoring of the transfer.

The new firmware is unpacked and the Flash memory is reprogrammed. The time remaining is shown by the message **going to reset Reconnecting in ... seconds**. When the upload is completed successfully, the device reboots automatically.

If the operating status LED lights up red, the upload has failed and must be repeated. To perform the upload, switch to a special page:

1. In the address bar of your browser, enter /main.htm after the device IP address, for example:
192.168.0.10/main.htm
2. Repeat the upload.

Configuration

Save configuration data for the camera to a computer and load saved configuration data from a computer to the device.

To save the camera settings:

1. Click **Download**; a dialog box appears.
2. Follow the instructions to save the current settings.

To load configuration data from the computer to the device:

1. Enter the full path of the file to upload or click **Browse** to select the desired file.
2. Make certain that the file to be loaded comes from the same device type as the device to be reconfigured.
3. Click **Upload** to begin transmission to the device. The progress bar allows monitoring of the transfer.

Once the upload is complete, the new configuration is activated. The time remaining is shown by the message **going to reset Reconnecting in ... seconds**. When the upload is completed successfully, the device reboots automatically.

SSL certificate

To work with an SSL connection, both sides of the connection must have the appropriate certificates. Upload one or more certificate files, one at a time, to the camera.

1. Enter the full path of the file to upload or click **Browse** to locate the file.
2. Click **Upload** to start the file transfer.

Once all files have been successfully uploaded, the device must be rebooted. In the address field of the browser, enter /reset after the camera's IP address, for example:

192.168.0.10/reset

The new SSL certificate is valid.

Maintenance log

Download an internal maintenance log from the device to send it to Customer Service for support purposes.

Click **Download** and select a storage location for the file.

Note:

Make sure that the **HTTPS browser port** is not set to **Off** and TLS 1.0 support is activated for your browser.

6.9.2 System Overview

This window is for information only and cannot be modified.

Keep this information at hand when seeking technical support.

Select the text on this page with a mouse and copy it so that it can be pasted into an e-mail if required.

7 Operation via the browser

7.1 Livepage

After the connection is established, the **Livepage** is initially displayed. It shows the live video image on the right of the browser window. Depending on the configuration, various text overlays may be visible on the live video image. Other information may also be shown next to the live video image on the **Livepage**. The display depends on the settings on the **LIVEPAGE Functions** page.

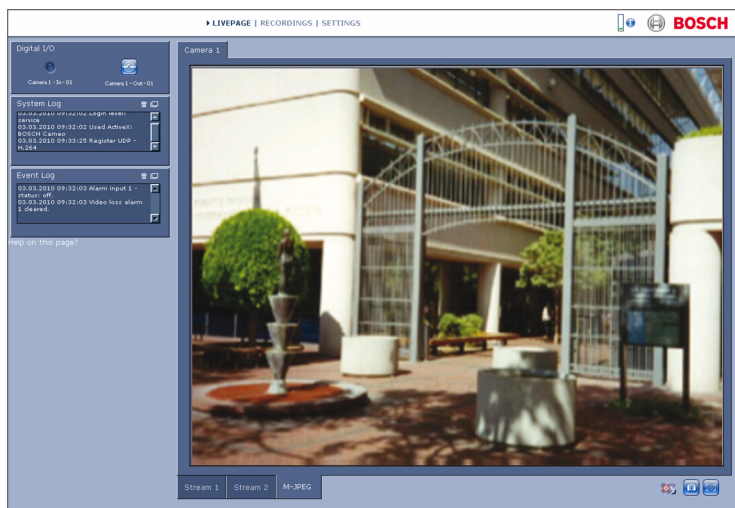


Figure 7.1 Livepage

7.1.1 Processor load

When accessing the camera with a browser, the processor load and network information is available in the upper right of the window next to the Bosch logo.



Move the mouse cursor over the icons to display numerical values. This information can help with problem solving or when fine tuning the device.

7.1.2 Image selection

View the image on a full screen.

- Click the **Stream 1**, **Stream 2** or **M-JPEG** tab below the video image to switch between the different displays for the camera image.

Display Stamping

Various overlays in the video image provide important status information. The overlays provide the following information:



Decoding error

The frame might show artefacts due to decoding errors. If subsequent frames reference this corrupted frame, they might also show decoding errors as well but won't be marked with the decoding error icon.



Alarm flag set on media item



Communication error

Any kind of communication error is indicated by this icon. Cause can be a connection failure to the storage medium, a protocol violation with a sub component or simply a timeout. An automatic reconnection procedure is started in the background to recover from this error.



Gap

No video recorded



Watermarking not valid



Watermarking flag set on media item



Motion flag set on media item



Discovery of storage not completed

If the information about recorded video is not cached, a discovery procedure is started to find all recorded video. During this time, the discovery symbol is shown. While discovery is executed, gaps might be shown in places which the discovery has not yet reached. The gap is automatically replaced by the true video, when the correct information is available.

7.1.3 Digital I/O

Depending on the configuration of the unit, the alarm input and the relay output are displayed next to the camera image. The alarm symbol is for information and indicates the input status of the alarm input: Active 1 = Symbol lights, Active 0 = Symbol not lit.

The relay on the camera allows operation of a device (for example, a light or a door opener).

- ▶ To operate, click the relay symbol. The symbol is red when the relay is activated.


7.1.4 System Log / Event Log

The **System Log** field contains information about the operating status of the camera and the connection. These messages can be saved automatically in a file. Events such as the triggering or end of alarms are shown in the **Event Log** field. These messages can be saved automatically in a file.

To delete the entries from the fields, click the icon in the top right-hand corner of the relevant field.


7.1.5 Saving snapshots

Individual images from the video sequence that is currently being shown on the **Livepage** can be saved in JPEG format on the computer's hard drive.

- ▶ Click the camera icon  to save single images. The storage location depends on the configuration of the camera.

7.1.6 Recording video sequences


Sections of the video sequence that is currently being shown on the **Livepage** can be saved on the computer's hard drive. The sequences are recorded at the resolution specified in the encoder configuration. The storage location depends on the configuration of the camera.

1. Click the recording icon  to record video sequences.
 - Saving begins immediately. The red dot on the icon indicates that a recording is in progress.
2. Click the recording icon again to stop recording.

Play back saved video sequences using the Player from Bosch Security Systems.

7.1.7 Running recording program

The hard drive icon below the camera images on the **Livepage** changes during an automatic recording.

The icon lights up and displays a moving graphic  to indicate a running recording. If no recording is taking place, a static icon is displayed.

7.1.8 Audio communication

Audio can be sent and received via the **Livepage** if the active monitor and the remote station of the camera support audio.

1. Press and hold the F12 key to send an audio signal to the camera.
2. Release the key to stop sending audio.

All connected users receive audio signals sent from the camera but only the user who first pressed the F12 key can send audio signals; others must wait for the first user to release the key.

7.2 Recordings page

Click **Recordings** to access the **Recordings** page from the **Livepage** or **Settings** page (the **Recordings** link is only visible if a storage medium has been selected).

Note:

Install the BVIP Lite Suite on your PC to ensure that the **Recordings** page is displayed correctly.

Selecting Recordings

All saved sequences are displayed in a list. A track number is assigned to each sequence. Start time and stop time, recording duration, number of alarms, and recording type are displayed.

To play back recorded video sequences:

1. Select **Recording 1** or **2** in the drop-down menu. (The contents for 1 and 2 are identical, only the quality and location may be different.)
2. Use the arrow buttons to browse the list.
3. Click a track. The playback for the selected sequence starts.

Export to FTP

Click **Export to FTP** to send the current track to the FTP server. If required, change the times within the selected range.

7.2.1 Controlling playback



A time bar below the video image allows quick orientation. The time interval associated with the sequence is displayed in the bar in grey. A green arrow above the bar indicates the position of the image currently being played back within the sequence.

The time bar offers various options for navigation in and between sequences.

- Change the time interval displayed by clicking the plus or minus icons. The display can span a range from two months to a few seconds.
- If required, drag the green arrow to the point in time at which the playback should begin.
- Red bars indicate the points in time where alarms were triggered. Drag the green arrow to navigate to these points quickly.

Control playback by means of the buttons below the video image. The buttons have the following functions:



Start/Pause playback



Jump to start of active sequence or to previous sequence



Jump to start of the next video sequence in the list

Slide control

Continuously select playback speed by means of the speed regulator:



Bookmarks

In addition, set markers in the sequences, so-called bookmarks, and jump directly to these. These bookmarks are indicated as small yellow arrows above the time interval. Use the bookmarks as follows:



Jump to the previous bookmark



Set bookmark



Jump to the following bookmark

Bookmarks are only valid while in the Recordings page; they are not saved with the sequences. All bookmarks are deleted when leaving the page.

8 Troubleshooting

8.1 LED indicators

The camera has LEDs on the front and the rear panel that show the operating status and can indicate possible malfunctions.

Power LED

Does not light up: Camera is switched off.

Lights red: Startup in progress.

Lights green: Camera is switched on.

Flashes green: Video connection established.

Flashes red: Camera is faulty, for example, following failed firmware upload.

8.2 Resolving problems

The following table is intended to help identify the causes of malfunctions and correct them when possible.

Malfunction	Possible causes	Solution
No image transmission to remote location.	Faulty cable connections.	Check all cables, plugs, contacts and connections. Check the iris setting.
No connection established, no image transmission.	The unit's configuration.	Check all configuration parameters.
	Faulty installation.	Check all cables, plugs, contacts and connections.

8.3 Customer service

If a fault cannot be resolved, please contact your supplier or system integrator, or contact Bosch Security Systems Customer Service directly.

The Installer should write down all information regarding the unit so that it can be referenced for warranty or repair. The

version numbers of the firmware and other status information can be seen when the unit starts or by opening the **Service** menu. Note down this information and the information found on the camera label before contacting customer service.

9 Maintenance

9.1 Repairs

**CAUTION!**

Never open the casing of the camera. The unit does not contain any user serviceable parts. Ensure that all maintenance or repair work is performed only by qualified personnel (electrical engineering or network technology specialists). If in doubt, contact your dealer's technical service center.

9.1.1 Transfer and disposal

The camera should only be passed-on together with this installation guide. The unit contains environmentally hazardous materials that must be disposed of according to law. Defective or superfluous devices and parts should be disposed of professionally or taken to your local collection point for hazardous materials.

10 Technical Data

10.1 Specifications

Input voltage	+12 VDC or Power-over-Ethernet
Power consumption	3.6 W (max)
Sensor type	¼-inch CMOS
Sensor pixels	1280 x 800
Sensitivity	0.3 lux
Video resolution	720p, 4CIF/D1, VGA, CIF, QVGA
Video compression	H.264 MP (Main Profile); H.264 BP+ (Baseline Profile Plus); M-JPEG
Max. frame rate	30 fps (M-JPEG rate varies depending on system loading)
Lens type	Varifocal 2.8 to 12 mm, manual iris, F1.4 to 360
Lens mount	CS mount
Alarm Input	+9 to 30 VDC
Relay Out	24 VAC/VDC, 1 A
Audio Input	Built-in microphone, Line in jack connector
Audio Output	Line out jack connector
Audio communication	Two-way, full duplex
Audio compression	G.711, L16 (live and recording)
SD card slot	Supports up to 32 GB SD/SDHC card

Recording	Continuous recording, ring recording. alarm/ events/schedule recording
Unit Configuration	Via web browser or PC surveillance software
Protocols	HTTP, HTTPs, SSL, TCP, UDP, ICMP, RTSP, RTP, Telnet, IGMPv2/v3, SMTP, SNMP, FTP, DHCP client, ARP, DNS, DDNS, NTP, SNMP, UPnP, 802.1X, iSCSI
Ethernet	10/100 Base-T, auto-sensing, half/full duplex, RJ45
PoE	IEEE 802.3af compliant
Dimensions with lens (H x W x D)	55 x 72 x 178 mm (2.17 x 2.83 x 7.00 in.)
Weight (with lens)	Approx. 352 g (0.77 lb)
Mounting	¼-inch mounting socket on top and bottom
Operating Temperature (Camera)	0 °C to +50 °C (+32 °F to +122 °F)
Operating Temperature (Power supply)	0 °C to +40 °C (+32 °F to +104 °F)
Storage Temperature	-20 °C to +70 °C (-4 °F to +158 °F)
Humidity	10% to 80% relative humidity (non condensing)

10.1.1 Dimensions

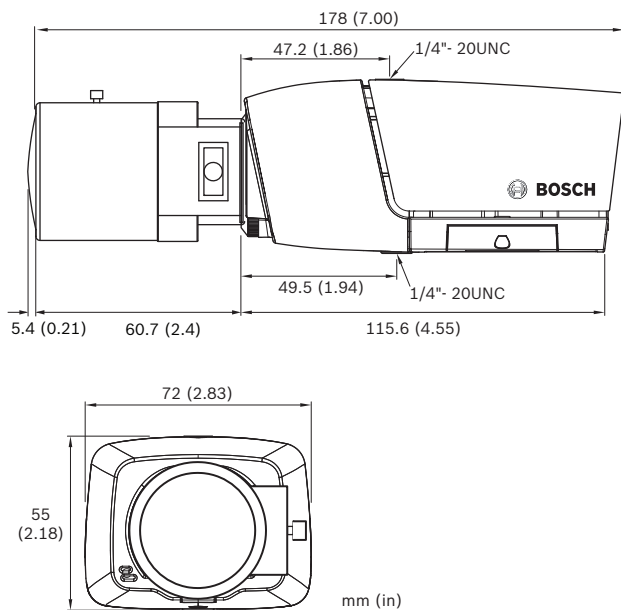


Figure 10.1 Dimensions

10.1.2 Accessories

LTC 9348/00 Series Indoor Dome

- housings for cameras/lens to 216 mm (8.5 in), ceiling mount, tinted, metal backbox

UHI-SBG-0 Series Indoor Housing

- for camera/lens lengths up to 210 mm (8.2 in)

UHI-ASBG-0 Series Indoor Housing

- for camera/lens lengths up to 210 mm (8.2 in) for APR only

Contact a Bosch representative in your area for the latest available accessories or visit our website at www.boschsecurity.com

Bosch Security Systems

www.boschsecurity.com

© Bosch Security Systems, 2012